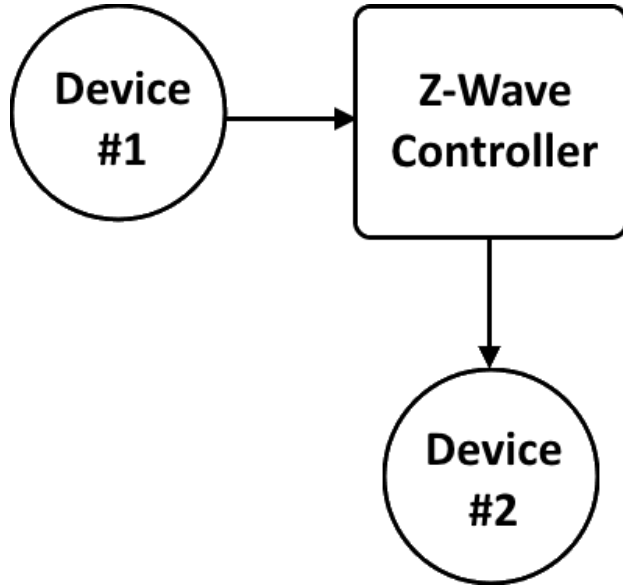




Device Association
FIBARO WEBINAR TRAINING

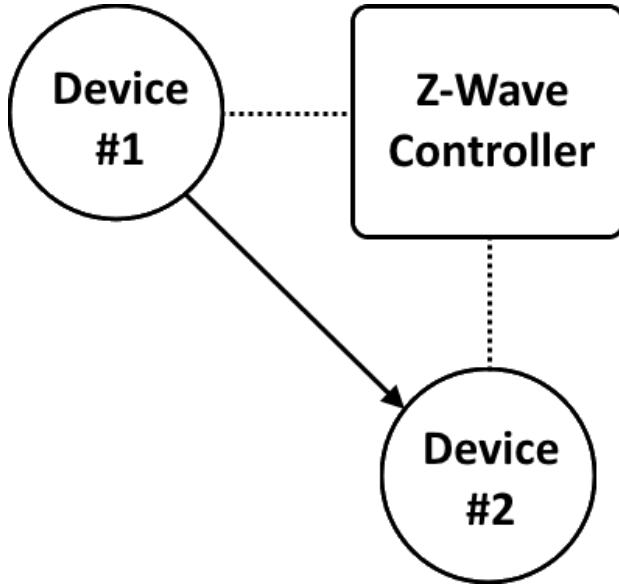
Scene & Direct Associations

Scene Associations



- Highly Customizable
- Speed based on controllers Processor
- Can use Secure and Unsecure devices
- Range Based On Z-Wave Mesh
- Require Controller to be Operational

Direct Associations



- Limited Actions
- Speed Based on Range and Security
- Only Secure or Unsecure connection
- Range Based on device
- Can Operate if Primary Controller is Down

Finding Associations

Finding Associations

The Flood Sensor provides the association of four groups:

1st Association Group – “Lifeline” reports the device status and allows for assigning single device only (main controller by default).

2nd Association Group – “Flood Control” devices in this group will be switched on or off when flood status changes (done via BASIC SET command frames).

3rd Association Group – “Flood Alarm” is assigned to the device status - devices in this group will receive notification about flood detection or cancellation. Useful for devices that can trigger alarms.

4th Association Group – “Tamper Alarm” is assigned to the TMP button and tilt sensor - devices in this group will receive a notification when the sensor is moved or the cover is taken off (which normally holds the button). Useful for devices that can trigger alarms. Functionality can be altered by parameter 74.

Most Device Manuals Will contain their Associations and list them as Groups

With this device Group 2 is “Flood Control” This will send BASIC SET Commands frames, this will allow us to turn the Associated Device On and Off Base on the State of the Device

Finding Associations

24. Command frames sent in 2nd and 3rd association groups (S1 associations)

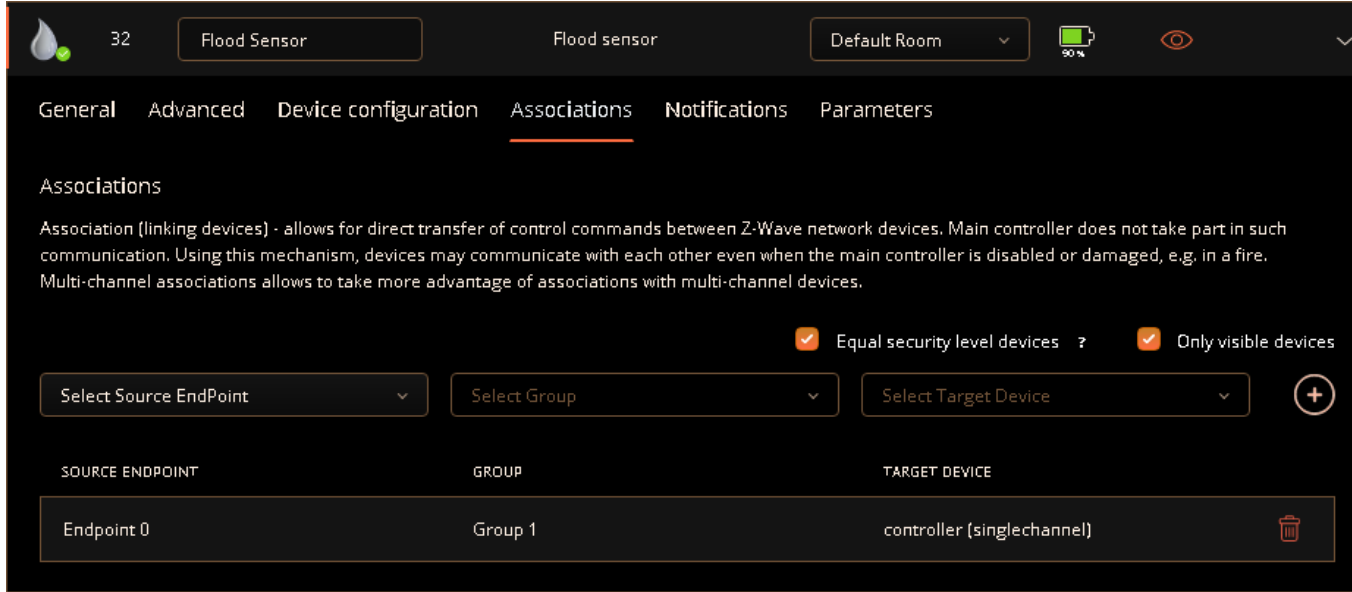
Parameter determines, which actions will **not** result in sending frames to association groups.

Available settings:	0 - all actions send to association groups 1 - do not send when switching ON (single click) 2 - do not send when switching OFF (single click) 4 - do not send when changing dimming level (holding and releasing) 8 - do not send on double click 16 - send 0xFF value on double click		
Default setting:	0	Parameter size:	1 [byte]

Some devices such as the FIBARO Dimmer 2, allow for much larger array of commands to be sent to Associated devices.

Home Center 3 Setting Direct Association

FIBARO HC3 Associations Tab



The screenshot shows the 'Associations' tab for a 'Flood Sensor' device. The interface includes a header with the device name, a battery level indicator (90%), and a 'Default Room' dropdown. Below the header are navigation tabs: 'General', 'Advanced', 'Device configuration', 'Associations' (selected), 'Notifications', and 'Parameters'. The main content area is titled 'Associations' and contains a descriptive paragraph: 'Association (linking devices) - allows for direct transfer of control commands between Z-Wave network devices. Main controller does not take part in such communication. Using this mechanism, devices may communicate with each other even when the main controller is disabled or damaged, e.g. in a fire. Multi-channel associations allows to take more advantage of associations with multi-channel devices.' Below the text are two checked checkboxes: 'Equal security level devices ?' and 'Only visible devices'. There are three dropdown menus: 'Select Source EndPoint', 'Select Group', and 'Select Target Device', followed by a plus sign icon. Below these is a table with columns for 'SOURCE ENDPOINT', 'GROUP', and 'TARGET DEVICE'. The table contains one entry: 'Endpoint 0', 'Group 1', and 'controller (singlechannel)'. A trash icon is visible to the right of the table entry.

32 Flood Sensor Flood sensor Default Room 90%

General Advanced Device configuration Associations Notifications Parameters

Associations

Association (linking devices) - allows for direct transfer of control commands between Z-Wave network devices. Main controller does not take part in such communication. Using this mechanism, devices may communicate with each other even when the main controller is disabled or damaged, e.g. in a fire. Multi-channel associations allows to take more advantage of associations with multi-channel devices.

Equal security level devices ? Only visible devices

Select Source EndPoint Select Group Select Target Device +

SOURCE ENDPOINT	GROUP	TARGET DEVICE
Endpoint 0	Group 1	controller (singlechannel)

Each device has its own Tab for Associations

Fibaro Controllers will list all association groups on all nodes of the device so you can set associations through Child Devices and they will automatically update the Parent Device



Thank you!

For further information please contact:

Digital Home Systems Pty Ltd

[E: office@dhys.com.au](mailto:office@dhys.com.au)

[E: mark@dhsys.com.au](mailto:mark@dhsys.com.au)

[W: DigitalHomeSystems.com.au](http://DigitalHomeSystems.com.au)

Ph: 1300+ZWAVE (1300 099 283) or 03 9432 8000

Showroom and Head Office:
Unit 3, 143 Main Street
Greensborough
VIC 3088